

J-CLASS

MH Series

Horizontal Multi-Stage Centrifugal Pumps

The new J-Class MH Series, Multi-Stage Booster Pump is designed to meet your pressure boosting needs. The stainless steel construction offers high performance in a wide variety of applications. The MH Series is offered in three flow rates and five different horsepower sizes in 1-phase or 3-phase to make sure you can have the right pump to fit your application.

Applications:

- Pressure Boosting
- Water Transfer
- Turf Irrigation
- Residential Lawn Sprinkler Systems
- Wash Down Applications

Features:

- All 300 Series Stainless Steel wetted components
- High Service Factor A.O. Smith motors
- Available in 3 flow rates: 15, 30 and 45 gpm
- 5 motor hp size options in 1-phase or 3-phase
- High pressure capabilities - 140 psi
- Able to pump fluids at temperatures up to 225 °F
- Can operate in suction lift installation up to 10 feet
- Certified for indoor and outdoor use



Franklin Electric

The Company You Trust Deep Down

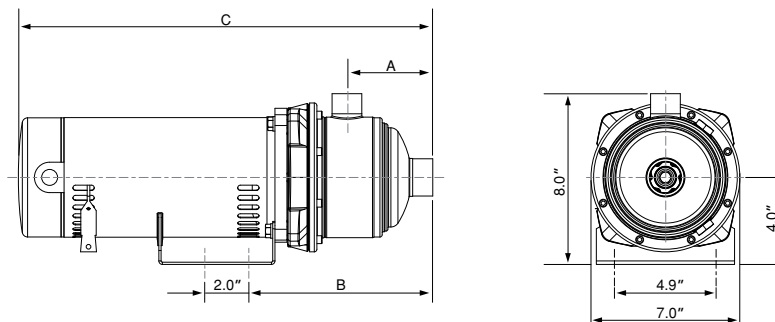
MH Series

Single-Phase Ordering Information

GPM	SUCTION X DISCHARGE	HP	STAGE	VOLTAGE	MODEL NO.	ORDER NO.	WT. (LBS.)
15	1-1/4" x 1"	0.5	2	115/230	15JMH05S2	96041500	22
		0.75	3	115/230	15JMH07S3	96041501	25
		1	4	115/230	15JMH1S4	96041502	29
		1.5	5	115/230	15JMH15S5	96041503	35
		2	6	115/230	15JMH2S6	96041504	40
30	1-1/4" x 1"	0.75	2	115/230	30JMH07S2	96043000	25
		1	3	115/230	30JMH1S3	96043001	33
		1.5	4	115/230	30JMH15S4	96043002	37
		2	5	115/230	30JMH2S5	96043003	41
45	1-1/2" x 1-1/4"	1.5	2	115/230	45JMH15S2	96044500	33
		2	3	115/230	45JMH2S3	96044501	39

Three-Phase Ordering Information

GPM	SUCTION X DISCHARGE	HP	STAGE	VOLTAGE	MODEL NO.	ORDER NO.	WT. (LBS.)
15	1-1/4" x 1"	0.5	2	208-230/460	15JMH05S2-T	96041510	24
		0.75	3	208-230/460	15JMH07S3-T	96041511	24
		1	4	208-230/460	15JMH1S4-T	96041512	29
		1.5	5	208-230/460	15JMH15S5-T	96041513	34
		2	6	208-230/460	15JMH2S6-T	96041514	42
30	1-1/4" x 1"	0.75	2	208-230/460	30JMH07S2-T	96043010	24
		1	3	208-230/460	30JMH1S3-T	96043011	33
		1.5	4	208-230/460	30JMH15S4-T	96043012	36
		2	5	208-230/460	30JMH2S5-T	96043013	43
45	1-1/2" x 1-1/4"	1.5	2	208-230/460	45JMH15S2-T	96044510	32
		2	3	208-230/460	45JMH2S3-T	96044511	41



Single-Phase Dimensional Data

GPM	HP	STAGE	A	B	C
15	0.5	2	4.06	8.75	16.75
	0.75	3	4.06	8.75	17.50
	1	4	5.00	9.69	19.07
	1.5	5	5.94	10.64	20.81
	2	6	6.89	11.58	22.59
30	0.75	2	4.06	8.75	17.50
	1	3	4.06	8.75	19.00
	1.5	4	5.00	9.69	20.70
	2	5	5.94	10.64	21.64
45	1.5	2	4.65	9.34	19.67
	2	3	4.65	9.34	20.50

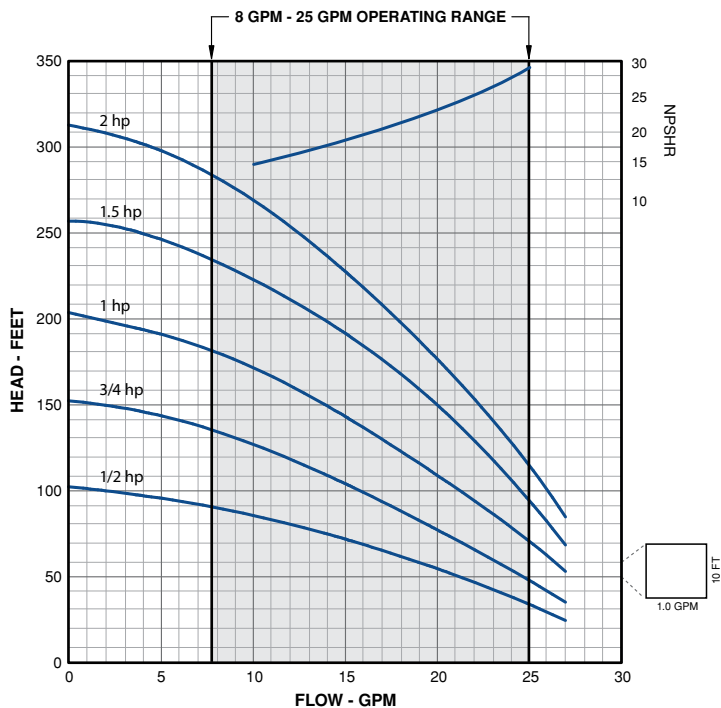
Three-Phase Dimensional Data

GPM	HP	STAGE	A	B	C
15	0.5	2	4.06	8.75	16.97
	0.75	3	4.06	8.75	17.62
	1	4	5.00	9.69	18.92
	1.5	5	5.94	10.64	20.78
	2	6	6.89	11.58	22.56
30	0.75	2	4.06	8.75	17.62
	1	3	4.06	8.75	18.85
	1.5	4	5.00	9.69	20.67
	2	5	5.94	10.64	21.61
45	1.5	2	4.65	9.34	19.64
	2	3	4.65	9.34	20.47

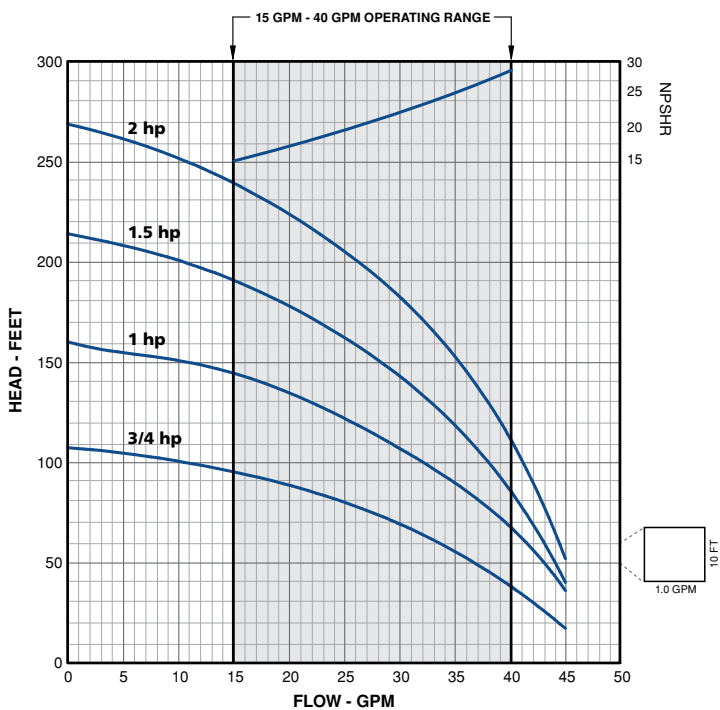
Centrifugal Pumps

Performance Curves

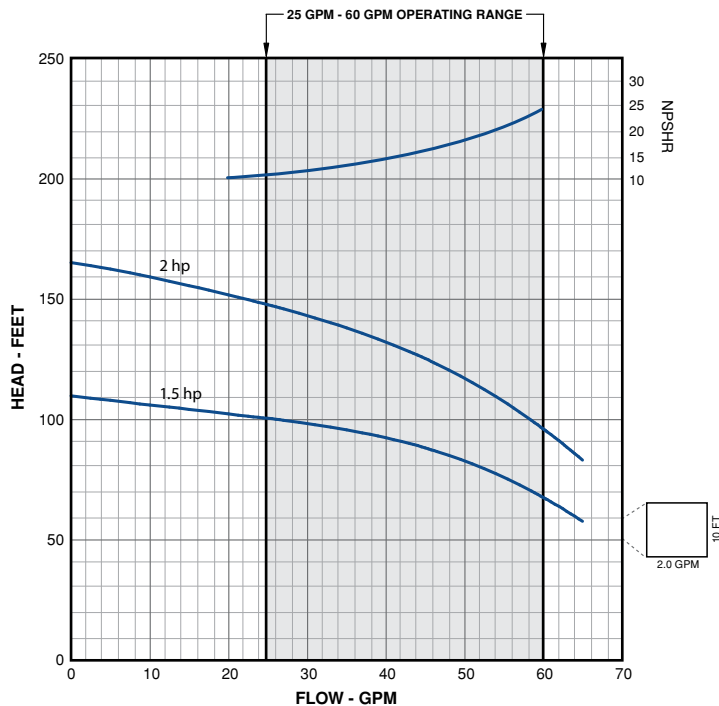
15 GPM



30 GPM



45 GPM



Franklin Electric
The Company You Trust Deep Down

Performance Data

15 GPM Performance Table

HP	CAPACITIES - GPM																					SHUT OFF HEAD (PSI)		
	TOTAL HEAD - FEET																							
	50	60	70	80	90	100	110	120	130	140	150	160	170	180	190	200	210	220	230	240	250		260	270
1/2	21	18	15	12	8	1																		44
3/4	25	23	21	19	18	16	14	12	9	6	1													66
1		26	25	24	23	21	20	18	17	15	14	12	10	8	5	1								88
1.5			27	26	25	25	24	23	22	21	20	19	18	16	15	14	12	10	9	6	4			111
2					27	26	25	25	24	23	22	21	21	20	19	18	17	16	15	14	12	11	10	135

30 GPM Performance Table

HP	CAPACITIES - GPM																				SHUT OFF HEAD (PSI)			
	TOTAL HEAD - FEET																							
	50	60	70	80	90	100	110	120	130	140	150	160	170	180	190	200	210	220	230	240				
3/4	37	33	30	25	19	10																		47
1	43	41	40	37	35	32	29	26	22	17	11													69
1.5	44	43	42	41	39	38	36	35	33	31	28	26	23	19	15	10	3							93
2		44	44	43	42	41	40	39	38	37	35	34	32	30	28	26	24	21	18	15				116

45 GPM Performance Table

HP	CAPACITIES - GPM											SHUT OFF HEAD (PSI)
	TOTAL HEAD - FEET											
	60	70	80	90	100	110	120	130	140	150	160	
1.5	64	59	52	43	26							47
2				62	58	54	48	42	33	22	9	71



Franklin Electric

400 East Spring Street, Bluffton, IN 46714

Tel: 260.824.2900 • Fax: 260.824.2909

www.franklin-electric.com